

Split Shaft Collars

Stainless Steel, with Extension-Tapped Holes

SPECIFICATION

Types

- Type **A**: Extension-tapped holes, radial
- Type **B**: Extension-tapped holes, axial

Stainless steel AISI 316LHC **NI**
Sintered

Socket cap screw DIN 912
Stainless steel AISI 304

INFORMATION

With extension-tapped holes of the split shaft collars GN 7072.1, sensor holders GN 7062.10 (see page) or other elements such as the gear lever or cam can be attached to shafts and axles.

They can be assembled safely and easily with a high clamping force by reducing the slot height, without damaging the surface of shafts and axles. As compared to semi-split shaft collars, split shaft collars can even be assembled radially.

The thread d_3 for sizes $d_1 = 30$ to 36 is designed as a through hole; for sizes $d_1 = 42$ and larger, it is designed as blind hole.

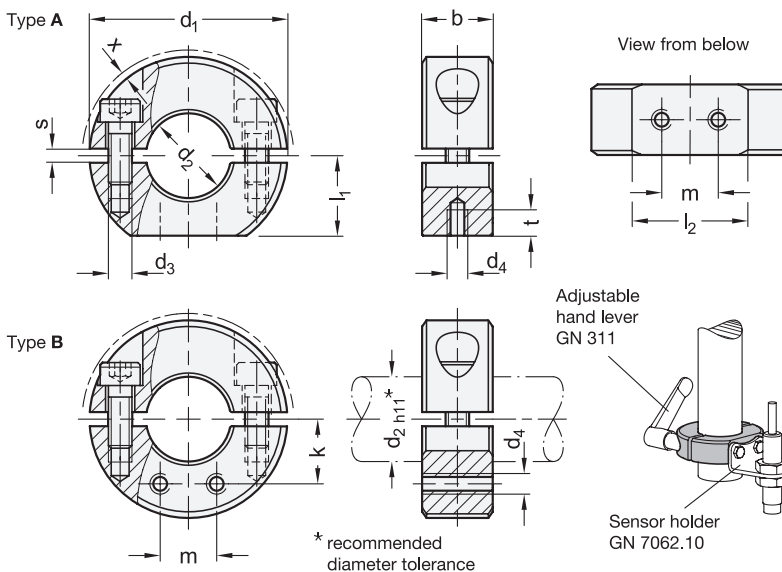
- List of Shaft Collar Types (see page)

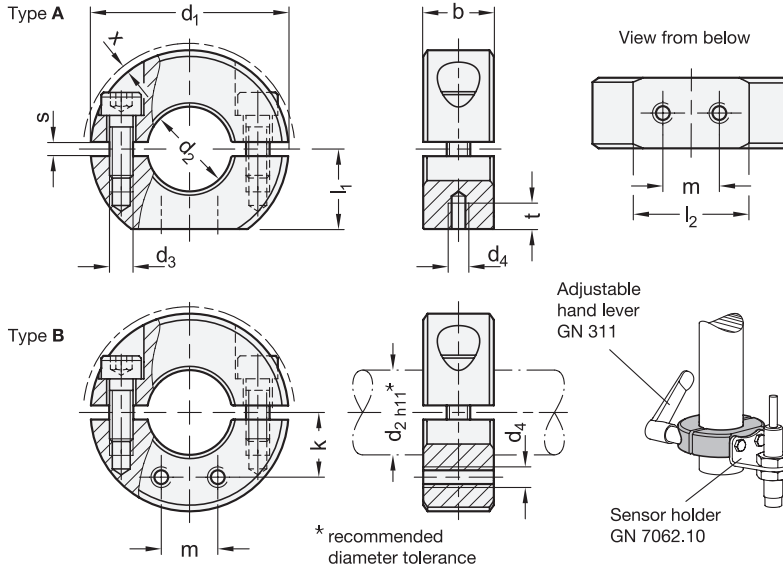
ACCESSORY

- Adjustable Hand Levers GN 311 (see page)
- Damping Washer GN 7072.30 (see page)
- Sensor Holder GN 7062.10 (see page)

TECHNICAL INFORMATION

- ISO-Fundamental Tolerances (see page A21)
- Stainless Steel Characteristics (see page A26)





GN 7072.1-A

STAINLESS STEEL

Description	d1	d2 H10	b ±0.2	d3	d4	l1	l2	m	s	t	x ≈ max. protrusion of cap screw	Adjustable hand lever for d3	⚖
GN 7072.1-30-B12-NI-A	30	B 12	11	M 4	M 3	13	15	8	2.1	4	0.7	GN 311-30-M4-12-SW	36
GN 7072.1-32-B14-NI-A	32	B 14	11	M 4	M 3	14	15.5	8	2.1	4	0.7	GN 311-30-M4-12-SW	39
GN 7072.1-36-B15-NI-A	36	B 15	13	M 5	M 4	15	19.9	10	2.1	5.5	1.4	GN 311-30-M5-13-SW	65
GN 7072.1-36-B16-NI-A	36	B 16	13	M 5	M 4	15	19.9	10	2.1	5.5	1.4	GN 311-30-M5-13-SW	58
GN 7072.1-42-B18-NI-A	42	B 18	15	M 5	M 4	17	24.7	12	3	5.5	0.6	GN 311-30-M5-15-SW	92
GN 7072.1-42-B20-NI-A	42	B 20	15	M 5	M 4	17	24.7	12	3	5.5	0.6	GN 311-30-M5-15-SW	86
GN 7072.1-48-B22-NI-A	48	B 22	15	M 5	M 4	20	26.5	12	3	5.5	0	GN 311-45-M5-16-SW	119
GN 7072.1-48-B25-NI-A	48	B 25	15	M 5	M 4	20	26.5	12	3	5.5	0	GN 311-45-M5-16-SW	108
GN 7072.1-55-B28-NI-A	55	B 28	15	M 6	M 5	22.5	31.6	18	3	7	0.5	GN 311-45-M6-18-SW	147
GN 7072.1-55-B30-NI-A	55	B 30	15	M 6	M 5	22.5	31.6	18	3	7	0.5	GN 311-45-M6-18-SW	137
GN 7072.1-60-B32-NI-A	60	B 32	15	M 6	M 5	25	33.2	18	4	7	0.4	GN 311-45-M6-19-SW	177
GN 7072.1-60-B35-NI-A	60	B 35	15	M 6	M 5	25	33.2	18	4	7	0.4	GN 311-45-M6-19-SW	150
GN 7072.1-65-B40-NI-A	65	B 40	15	M 6	M 5	27.5	34.6	18	4	7	0.5	GN 311-45-M6-20-SW	169

GN 7072.1-B

STAINLESS STEEL

Description	d1	d2 H10	b ±0.2	d3	d4	m	k Bore series	s	x ≈ max. protrusion of cap screw	Adjustable hand lever for d3	⚖
GN 7072.1-30-B12-NI-B	30	B 12	11	M 4	M 3	8	9.7	2.1	0.7	GN 311-30-M4-12-SW	37
GN 7072.1-32-B14-NI-B	32	B 14	11	M 4	M 3	8	10.8	2.1	0.7	GN 311-30-M4-12-SW	40
GN 7072.1-36-B15-NI-B	36	B 15	13	M 5	M 4	10	11.7	2.1	1.4	GN 311-30-M5-13-SW	68
GN 7072.1-36-B16-NI-B	36	B 16	13	M 5	M 4	10	12	2.1	1.4	GN 311-30-M5-13-SW	60
GN 7072.1-42-B18-NI-B	42	B 18	15	M 5	M 4	12	13.7	3	0.6	GN 311-30-M5-15-SW	96
GN 7072.1-42-B20-NI-B	42	B 20	15	M 5	M 4	12	14.3	3	0.6	GN 311-30-M5-15-SW	91
GN 7072.1-48-B22-NI-B	48	B 22	15	M 5	M 4	12	16.4	3	0	GN 311-45-M5-16-SW	125
GN 7072.1-48-B25-NI-B	48	B 25	15	M 5	M 4	12	17.2	3	0	GN 311-45-M5-16-SW	113
GN 7072.1-55-B28-NI-B	55	B 28	15	M 6	M 5	18	18.7	3	0.5	GN 311-45-M6-18-SW	153
GN 7072.1-55-B30-NI-B	55	B 30	15	M 6	M 5	18	19.3	3	0.5	GN 311-45-M6-18-SW	145
GN 7072.1-60-B32-NI-B	60	B 32	15	M 6	M 5	18	21.2	4	0.4	GN 311-45-M6-19-SW	186
GN 7072.1-60-B35-NI-B	60	B 35	15	M 6	M 5	18	22	4	0.4	GN 311-45-M6-19-SW	157
GN 7072.1-65-B40-NI-B	65	B 40	15	M 6	M 5	18	24.7	4	0.5	GN 311-45-M6-20-SW	178

